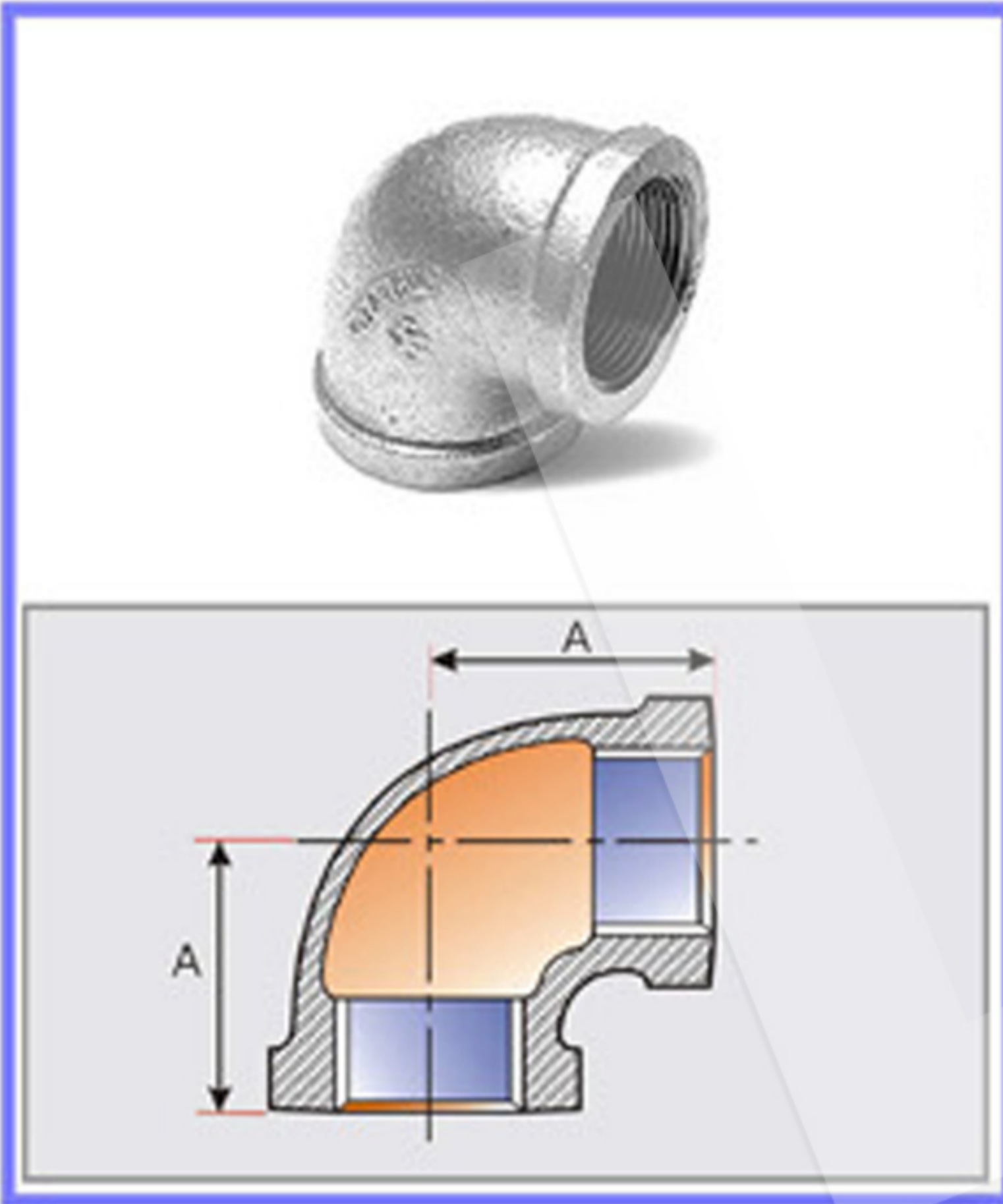


**MALLEABLE IRON PIPE FITTINGS CLASS 150 lbs.**

<b>ELBOWS 90°</b>	Size (inch)	Dimensions A	Inner Box Pcs./Box	Master Ctn. Pcs./Ctn.	NO.of Inner Box	Weight/Pcs.	N.W./Ctn. (Kgs.)
<b>AL 90</b>	1/8	17.5	50	600	12	0.0306	18
	1/4	20.6	35	420	12	0.0515	22
	3/8	24.1	90	360	4	0.0710	26
	1/2	28.4	50	200	4	0.1195	24
	3/4	33.3	35	105	3	0.1865	20
	1	38.1	20	60	3	0.2838	17
	1 1/4	44.5	20	40	2	0.4504	18
	1 1/2	49.3	15	30	2	0.5736	17
	2	57.2	8	16	2	0.8932	14
	2 1/2	68.6	-	12	1	1.4816	18
	3	78.2	-	8	1	2.2560	20
	3 1/2	86.9	-	4	1	3.1930	13
	4	96.3	-	2	1	4.2200	8
	5	114.3	-	2	1	6.7980	14
	6	132.0	-	1	1	8.8690	9



\* THE ACTUAL WEIGHT CAN VARY BY  $\pm$  3%